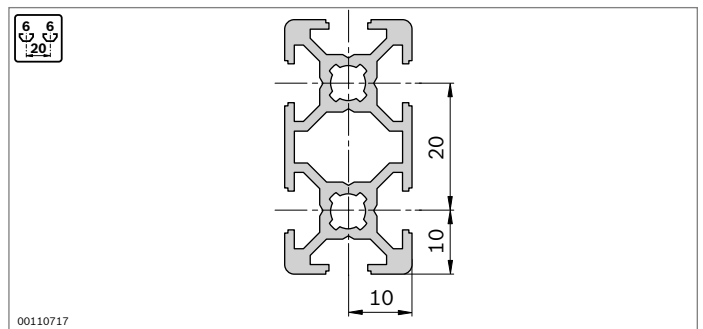
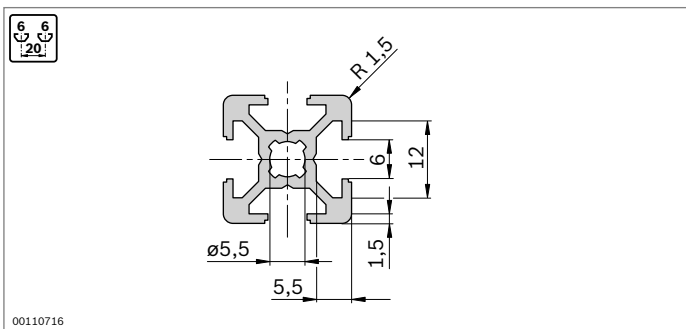


Strut profiles with 6 mm slot

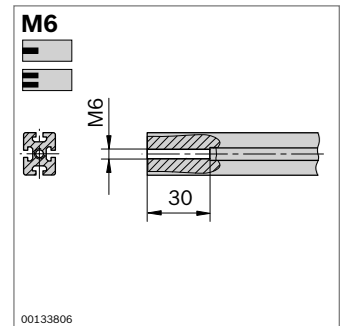
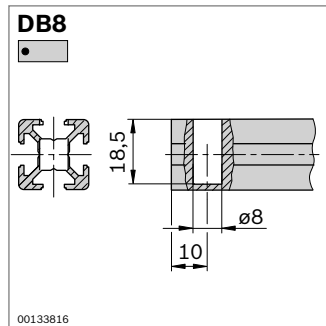
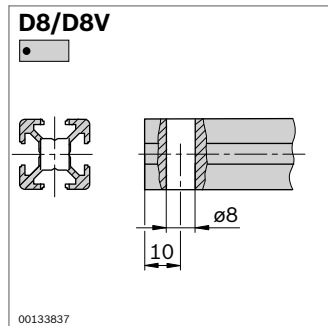
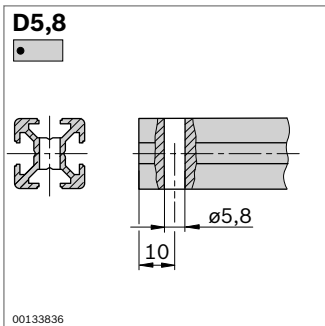
Strut profiles with 6 mm slot for light structures, such as supports and lab fixtures.

The 20x40 and 20x60 profiles are especially suitable for reinforcing; the 20x40x40 profile is suitable for constructing showcases, flow racks, and enclosures.

Slot, modular dimensions, central bore



Profile finishing



Minimum profile lengths (mm) for Quick & Easy standard profile finishing on one or both sides

	-	M6	D5.8	D8/DB8
-	50	50	50	50
M6	50	70	50	70
D5.8	50	50	50	50
D8/DB8	50	70	50	50

20x20

$A = 1,6 \text{ cm}^2$
 $I_x = 0,7 \text{ cm}^4$
 $I_y = 0,7 \text{ cm}^4$
 $W_x = 0,7 \text{ cm}^3$
 $W_y = 0,7 \text{ cm}^3$
 $m = 0,4 \text{ kg/m}$

19168

Cover cap	Color	ESD	No.
20x20 (1x)	Signal gray		100 3 842 548 742
20x20 (1x)	Black		20 3 842 548 743

Material: PP

20x20 1N

$A = 1,9 \text{ cm}^2$
 $I_x = 0,8 \text{ cm}^4$
 $I_y = 0,8 \text{ cm}^4$
 $W_x = 0,8 \text{ cm}^3$
 $W_y = 0,8 \text{ cm}^3$
 $m = 0,5 \text{ kg/m}$

19169

Cover cap: See 20x20

20x20 2N

$A = 1,8 \text{ cm}^2$
 $I_x = 0,7 \text{ cm}^4$
 $I_y = 0,8 \text{ cm}^4$
 $W_x = 0,7 \text{ cm}^3$
 $W_y = 0,8 \text{ cm}^3$
 $m = 0,5 \text{ kg/m}$

19170

Cover cap: See 20x20

20x20	L (mm)	No.
1 pcs	50 ... 3000	3 842 992 888 / L
1 pcs M6	50 ... 3000	3 842 993 230 / L
1 pcs M6 M6	70 ... 3000	3 842 993 231 / L
1 pcs M6 D8	70 ... 3000	3 842 993 494 / L
1 pcs D8	50 ... 3000	3 842 993 493 / L
1 pcs D8 D8	50 ... 3000	3 842 993 495 / L
1 pcs D8 D8V	50 ... 3000	3 842 993 496 / L
20 pcs	3000	3 842 517 179

Quick & Easy (p. 2-8, see fold-out section)

20x20	No.
20x20	3 842 993 694 / ...
Length L (mm)	50 ... 3000
Standard profile finishing (note minimum length, p. 2-11)	M6 / D5.8 / D8 / DB8
Customized profile finishing (L _{max} = 2300 mm)	DI / DIS / MT / MTS / MI / MIS / DG ¹⁾

¹⁾ DG_{max} = 45°; L_{min1} / L_{min2} = 335 / 370 mm

20x20 1N	L (mm)	No.
1 pcs	50 ... 3000	3 842 993 421 / L
20 pcs	3000	3 842 536 475

Quick & Easy (p. 2-8, see fold-out section)

20x20 1N	No.
20x20 1N	3 842 993 690 / ...
Length L (mm)	50 ... 3000
Standard profile finishing (note minimum length, p. 2-11)	M6 / D5.8 / D8 / DB8
Customized profile finishing (L _{max} = 2300 mm)	DI / DIS / MT / MTS / MI / MIS / DG ¹⁾

¹⁾ DG_{max} = 45°; L_{min1} / L_{min2} = 335 / 370 mm

20x20 2N	L (mm)	No.
1 pcs	50 ... 3000	3 842 993 422 / L
20 pcs	3000	3 842 536 478

Quick & Easy (p. 2-8, see fold-out section)

20x20 2N	No.
20x20 2N	3 842 993 691 / ...
Length L (mm)	50 ... 3000
Standard profile finishing (note minimum length, p. 2-11)	M6 / D5.8 / D8 / DB8
Customized profile finishing (L _{max} = 2300 mm)	DI / DIS / MT / MTS / MI / MIS / DG ¹⁾

¹⁾ DG_{max} = 45°; L_{min1} / L_{min2} = 335 / 370 mm

20x20 2NVS

$A = 1,8 \text{ cm}^2$
 $I_x = 0,7 \text{ cm}^4$
 $I_y = 0,7 \text{ cm}^4$
 $W_x = 0,7 \text{ cm}^3$
 $W_y = 0,7 \text{ cm}^3$
 $m = 0,5 \text{ kg/m}$

19171

Cover cap: See 20x20

20x20 3N

$A = 1,7 \text{ cm}^2$
 $I_x = 0,7 \text{ cm}^4$
 $I_y = 0,8 \text{ cm}^4$
 $W_x = 0,7 \text{ cm}^3$
 $W_y = 0,7 \text{ cm}^3$
 $m = 0,5 \text{ kg/m}$

19172

Cover cap: See 20x20

20x20 R

$A = 1,6 \text{ cm}^2$
 $I_x = 0,6 \text{ cm}^4$
 $I_y = 0,6 \text{ cm}^4$
 $W_x = 0,5 \text{ cm}^3$
 $W_y = 0,5 \text{ cm}^3$
 $m = 0,4 \text{ kg/m}$

19173

Cover cap	Color	ESD	No.
20x20 R (1x)	Signal gray		20 3 842 548 826
20x20 R (1x)	Black		20 3 842 548 827

Material: PP

20x20 2NVS	L (mm)	No.
1 pcs	50 ... 3000	3 842 992 924 / L
20 pcs	3000	3 842 519 658

Quick & Easy (p. 2-8, see fold-out section)

20x20 2NVS	3 842 993 692 /
Length L (mm)	50 ... 3000
Standard profile finishing (note minimum length, p. 2-11)	M6 / D5.8 / D8 / DB8
Customized profile finishing ($L_{max} = 2300 \text{ mm}$)	DI / DIS / MT / MTS / MI / MIS / DG ¹⁾

¹⁾ $DG_{max} = 45^\circ$; $L_{min1} / L_{min2} = 335 / 370 \text{ mm}$

20x20 3N	L (mm)	No.
1 pcs	50 ... 3000	3 842 992 889 / L
20 pcs	3000	3 842 517 180

Quick & Easy (p. 2-8, see fold-out section)

20x20 3N	3 842 993 693 / ...
Length L (mm)	50 ... 3000
Standard profile finishing (note minimum length, p. 2-11)	M6 / D5.8 / D8 / DB8
Customized profile finishing ($L_{max} = 2300 \text{ mm}$)	DI / DIS / MT / MTS / MI / MIS / DG ¹⁾

¹⁾ $DG_{max} = 45^\circ$; $L_{min1} / L_{min2} = 335 / 370 \text{ mm}$

20x20 R	L (mm)	No.
1 pcs	50 ... 3000	3 842 992 890 / L
20 pcs	3000	3 842 517 183

Quick & Easy (p. 2-8, see fold-out section)

20x20 R	3 842 993 695 /
Length L (mm)	50 ... 3000
Standard profile finishing (note minimum length, p. 2-11)	M6
Customized profile finishing ($L_{max} = 2300 \text{ mm}$)	—

20x40

$A = 2,9 \text{ cm}^2$
 $I_x = 4,6 \text{ cm}^4$
 $I_y = 1,2 \text{ cm}^4$
 $W_x = 2,5 \text{ cm}^3$
 $W_y = 1,4 \text{ cm}^3$
 $m = 0,8 \text{ kg/m}$

19174

Cover cap	Color	ESD	No.
20x20 (2x)	Signal gray		100 3 842 548 742
20x20 (2x)	Black	⚡	20 3 842 548 743

Material: PP

20x60

$A = 3,5 \text{ cm}^2$
 $I_x = 14,2 \text{ cm}^4$
 $I_y = 1,7 \text{ cm}^4$
 $W_x = 4,7 \text{ cm}^3$
 $W_y = 1,7 \text{ cm}^3$
 $m = 0,9 \text{ kg/m}$

19175

Cover cap	Color	ESD	No.
20x60 (1x)	Signal gray		20 3 842 548 828
20x60 (1x)	Black	⚡	20 3 842 548 829

Material: PP

20x40x40

$A = 4,2 \text{ cm}^2$
 $I_x = 6,0 \text{ cm}^4$
 $I_y = 6,0 \text{ cm}^4$
 $W_x = 2,6 \text{ cm}^3$
 $W_y = 2,6 \text{ cm}^3$
 $m = 1,1 \text{ kg/m}$

19176

Cover cap	Color	ESD	No.
20x20 (3x)	Signal gray		100 3 842 548 742
20x20 (3x)	Black	⚡	20 3 842 548 743

Material: PP

20x40	L (mm)	No.
1 pcs	50 ... 3000	3 842 992 891 / L
1 pcs D8	50 ... 3000	3 842 993 497 / L
1 pcs D8	50 ... 3000	3 842 993 499 / L
1 pcs D8	50 ... 3000	3 842 993 500 / L
1 pcs D8V	50 ... 3000	3 842 993 498 / L
1 pcs D8V	50 ... 3000	3 842 993 501 / L
24 pcs	3000	3 842 537 816

Profile finishing: D8: in slots B/F, C/E
D8V: in slots A/D

Quick & Easy (p. 2-8, see fold-out section)

20x40	No.
Length L (mm)	50 ... 3000
Standard profile finishing (note minimum length, p. 2-11)	M6 / D5.8 / D8 / DB8
Customized profile finishing (L _{max} = 2300 mm)	DI / DIS / MT / MTS / MI / MIS / DG ¹⁾

¹⁾ DG_{max} = 45°; L_{min1} / L_{min2} = 370 / 440 mm

20x60	L (mm)	No.
1 pcs	50 ... 3000	3 842 992 992 / L
16 pcs	3000	3 842 537 819

Quick & Easy (p. 2-8, see fold-out section)

20x60	No.
Length L (mm)	50 ... 3000
Standard profile finishing (note minimum length, p. 2-11)	M6 / D5,8 (B,C,E,F) ¹⁾ / D8 (B,C,E,F) ¹⁾ / DB8
Customized profile finishing (L _{max} = 2300 mm)	DI / DIS / MT / MTS / MI / MIS / DG ²⁾

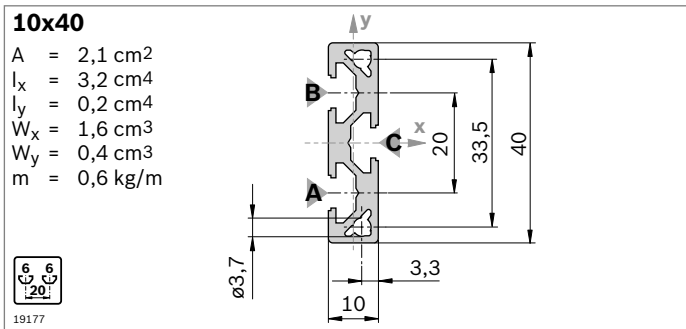
¹⁾ For the specified slots
²⁾ DG_{max} = 45°; L_{min1} / L_{min2} = 404 / 508 mm

20x40x40	L (mm)	No.
1 pcs	50 ... 3000	3 842 992 991 / L
16 pcs	3000	3 842 537 818

Quick & Easy (p. 2-8, see fold-out section)

20x40x40	No.
Length L (mm)	50 ... 3000
Standard profile finishing (note minimum length, p. 2-11)	M6 / D5.8 / D8 / DB8
Customized profile finishing (L _{max} = 2300 mm)	DI / DIS / MT / MTS / MI / MIS / DG ¹⁾

¹⁾ DG_{max} = 45°; L_{min1} / L_{min2} = 370 / 440 mm



Cover cap	Color	ESD	No.
10x40 (1x)	Signal gray	20	3 842 548 766
10x40 (1x)	Black	20	3 842 548 767

Material: PP

10x40	L (mm)	No.
1 pcs	50 ... 3000	3 842 993 077 / L
10 pcs	3000	3 842 526 817

Quick & Easy (p. 2-8, see fold-out section)

10x40	3 842 993 683 / ...
Length L (mm)	50 ... 3000
Standard profile finishing (note minimum length, p. 2-11)	D5.8/D8
Customized profile finishing	—