

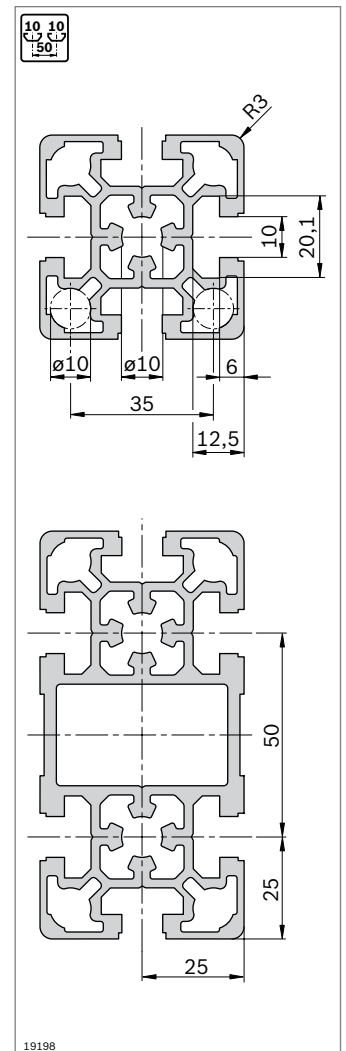
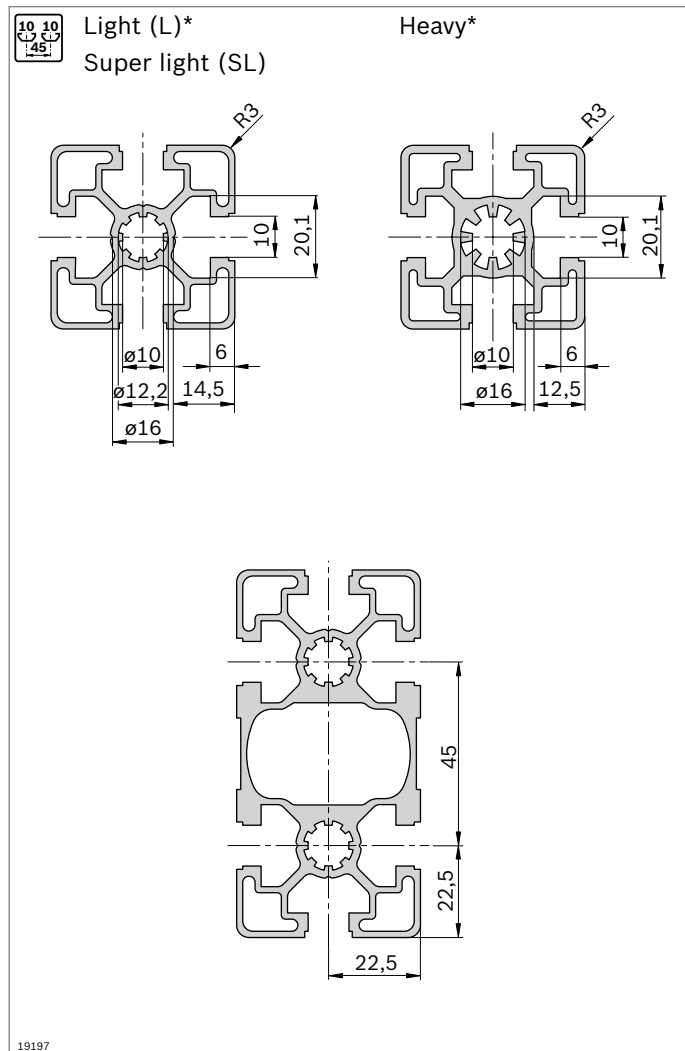
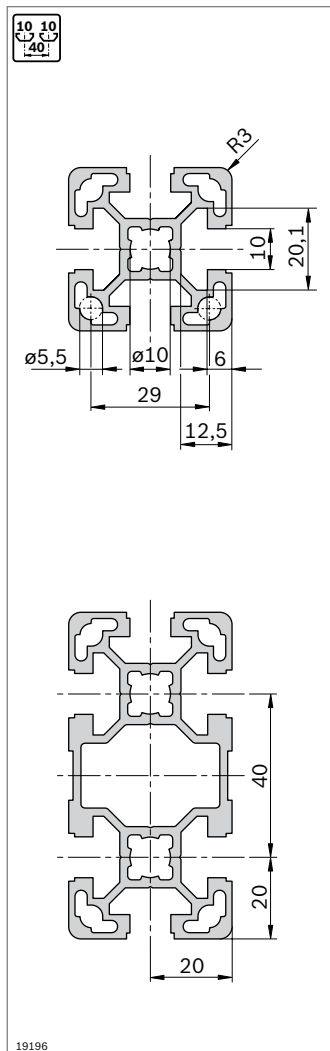
Strut profiles with 10 mm slot

The Rexroth modular profile system, with 10 mm slots in the modular dimensions 40 mm, 45 mm, 50 mm, and 60 mm, covers all conventional profile dimensions on the world market.

45 mm, and 50 mm, e.g. 50x50L) combine high strengths with minimum use of materials. This gives you a cost-effective and stable solution for the construction of tables, protection devices or frames, for instance.

Thanks to their computer-optimized design, the strut profiles L with 10 mm slot (modular dimensions 40 mm,

Slot, modular dimensions, central bore



*) The following L-profiles have a "heavy" slot geometry:
45x90x90L; 45x90x90L 4N; 90x90L; 90x90L 4N; 90x90L 4NVS; 90x180L

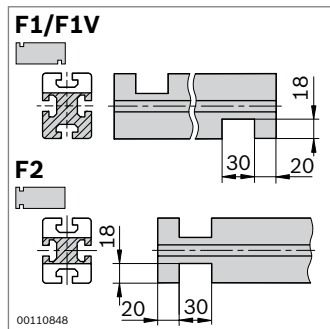
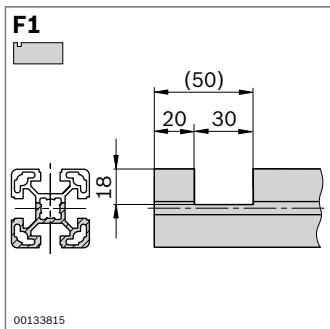
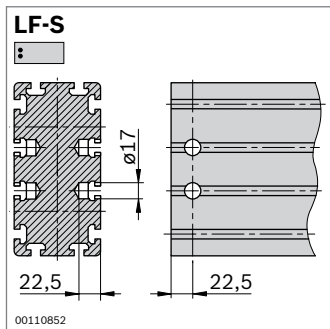
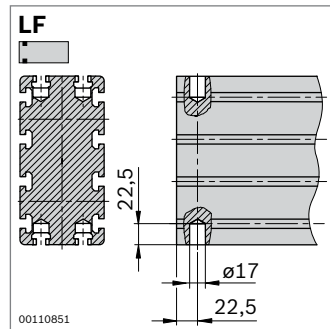
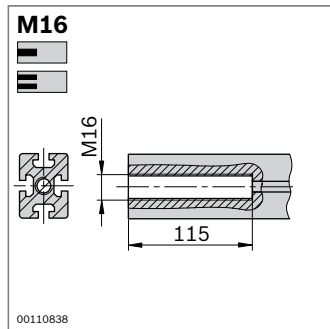
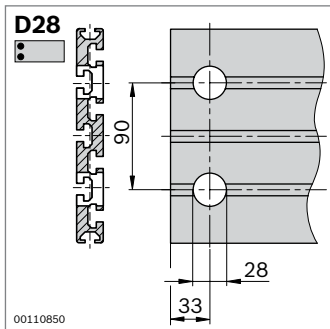
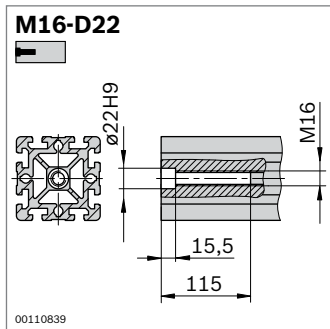
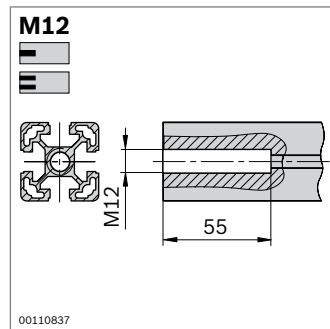
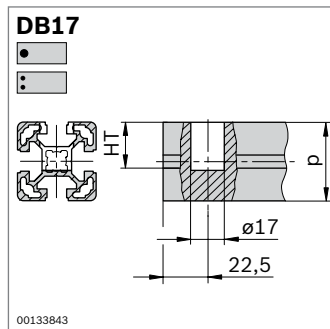
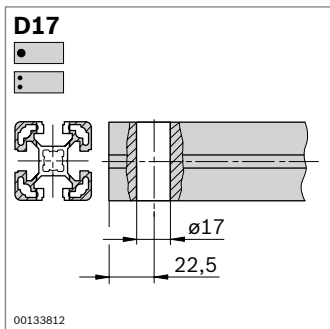
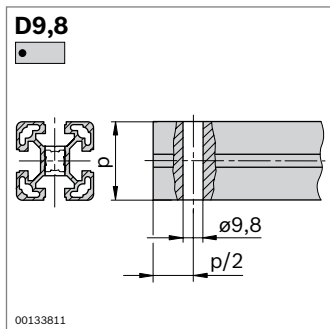
Minimum profile lengths (mm) for Quick & Easy standard profile finishing on one or both sides

	-	M12	M16	D9.8	D17/DB17	F1
-	50	60	120	50	60	60
M12	60	110	180	90	90	110
M16	120	180	240	150	170	170
D9.8	50	90	150	80	70	90
D17/DB17	60	90	170	70	80	90
F1	60	110	170	90	90	80

For applications with high loads, we recommend especially stable profiles with 10 mm slots, e.g. for heavy work tables, fixtures, machine frames, transport shuttles, protective enclosures, and handling systems.

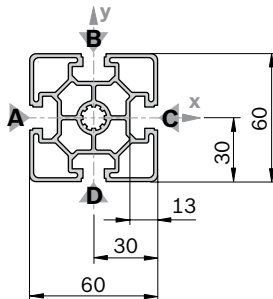
Due to its very sturdy design, this slot allows maximum strength connections.

Profile finishing



60x60L

A = 9,6 cm²
I_x = 32,4 cm⁴
I_y = 32,4 cm⁴
W_x = 10,8 cm³
W_y = 10,8 cm³
m = 2,6 kg/m



19459

60x60L

L (mm) No.

1 pcs		50 ... 5600	3 842 992 443 / L
1 pcs	M12	60 ... 5600	3 842 992 444 / L
1 pcs	M12 M12	110 ... 5600	3 842 992 445 / L
1 pcs	M12 D17	90 ... 5600	3 842 992 446 / L
1 pcs	D17	60 ... 5600	3 842 992 449 / L
1 pcs	D17 D17	80 ... 5600	3 842 992 447 / L
1 pcs	D17 D17V	80 ... 5600	3 842 992 448 / L
20 pcs		5600	3 842 511 872

Quick & Easy (p. 2-8, see fold-out section)

60x60L	3 842 993 670 / ...
Length L (mm)	50 ... 5600
Standard profile finishing (note minimum length, p. 2-25)	M12 / D9.8 / D17 / DB17
Customized profile finishing (L _{max} = 4900 mm)	DI / DIS / MT / MTS / MI / MIS / DG ¹⁾

¹⁾ DG_{max} = 45°; L_{min} = 404 / 508 mm

Cover cap	Color	ESD		No.
60x60 (1x)	Signal gray		100	3 842 548 808
60x60 (1x)	Black		100	3 842 548 809

Material:

PP

Cover cap with hole	Color	ESD		No.
60x60 (1x)	Signal gray		20	3 842 548 810
60x60 (1x)	Black		20	3 842 548 811

Material:

PP

60x60

$A = 14,4 \text{ cm}^2$
 $I_x = 52,2 \text{ cm}^4$
 $I_y = 52,2 \text{ cm}^4$
 $W_x = 17,4 \text{ cm}^3$
 $W_y = 17,4 \text{ cm}^3$
 $m = 3,9 \text{ kg/m}$

19460

Cover cap	Color	ESD	No.
60x60 (1x)	Signal gray		100 3 842 548 808
60x60 (1x)	Black		100 3 842 548 809

Material: PP

Cover cap with hole	Color	ESD	No.
60x60 (1x)	Signal gray		20 3 842 548 810
60x60 (1x)	Black		20 3 842 548 811

Material: PP

60x90

$A = 25,8 \text{ cm}^2$
 $I_x = 214,2 \text{ cm}^4$
 $I_y = 90,5 \text{ cm}^4$
 $W_x = 47,6 \text{ cm}^3$
 $W_y = 30,2 \text{ cm}^3$
 $m = 7,0 \text{ kg/m}$

19461

Cover cap	Color	ESD	No.
60x90 (1x)	Signal gray		20 3 842 548 812
60x90 (1x)	Black		20 3 842 548 813

Material: PP

Cover cap with hole	Color	ESD	No.
60x90 (1x)	Signal gray		20 3 842 551 050
60x90 (1x)	Black		20 3 842 551 051

Material: PP

Note: A quick connector cannot be used

60x60	L (mm)	No.
1 pcs	50 ... 5600	3 842 990 350 / L
1 pcs M12	60 ... 5600	3 842 990 351 / L
1 pcs M12 M12	110 ... 5600	3 842 990 353 / L
1 pcs M12 M16	180 ... 5600	3 842 990 354 / L
1 pcs M12 D17	90 ... 5600	3 842 990 355 / L
1 pcs M16	120 ... 5600	3 842 990 352 / L
1 pcs M16 D17	170 ... 5600	3 842 990 373 / L
1 pcs D17	50 ... 5600	3 842 990 370 / L
1 pcs D17 D17	80 ... 5600	3 842 990 357 / L
1 pcs D17 D17V	80 ... 5600	3 842 990 359 / L
20 pcs	5600	3 842 509 185

Quick & Easy (p. 2-8, see fold-out section)

60x60	3 842 993 668 / ...
Length L (mm)	50 ... 5600
Standard profile finishing (note minimum length, p. 2-25)	M12 / M16 / D9,8 / D17 / DB17
Customized profile finishing ($L_{max} = 4900 \text{ mm}$)	DI / DIS / MT / MTS / MI / MIS / DG ¹⁾

¹⁾ $DG_{max} = 45^\circ$; $L_{min} = 404 / 508 \text{ mm}$

60x90	L (mm)	No.
1 pcs	50 ... 5600	3 842 990 450 / ...
1 pcs M16	120 ... 5600	3 842 990 453 / ...
1 pcs M16 M16	240 ... 5600	3 842 990 454 / ...
1 pcs M16 D17	170 ... 5600	3 842 992 962 / ...
1 pcs M16 D17V	170 ... 5600	3 842 992 963 / ...
1 pcs M16 F2	170 ... 5600	3 842 990 472 / ...
1 pcs D17 D17	80 ... 5600	3 842 990 097 / ...
1 pcs D17 D17V	80 ... 5600	3 842 990 099 / ...
1 pcs D17V D17V	90 ... 5600	3 842 990 098 / ...
1 pcs F1 F1	110 ... 5600	3 842 990 464 / ...
1 pcs F1 F1V	110 ... 5600	3 842 990 481 / ...
1 pcs F2 F2	110 ... 5600	3 842 990 478 / ...
10 pcs	5600	3 842 509 183

Profile finishing: D17: in slots B/F, C/E
D17V: in slots A/D

Quick & Easy (p. 2-8, see fold-out section)

60x90	3 842 993 671 / ...
Length L (mm)	50 ... 5600
Standard profile finishing (note minimum length, p. 2-25)	M16 / D9,8 / D17 / DB17 / F1 (A, D) ¹⁾
Customized profile finishing ($L_{max} = 4900 \text{ mm}$)	DI / DIS / MT / MTS / MI / MIS / DG ¹⁾

¹⁾ For the specified slots

¹⁾ $DG_{max} = 45^\circ$; $L_{min} = 456 / 612 \text{ mm}$